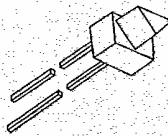
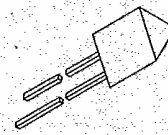
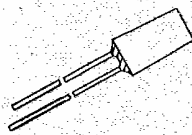
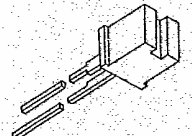
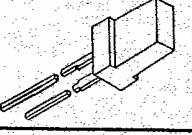
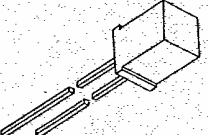
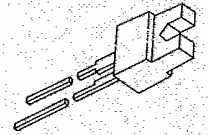
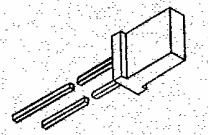
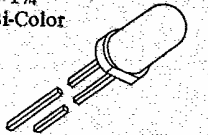
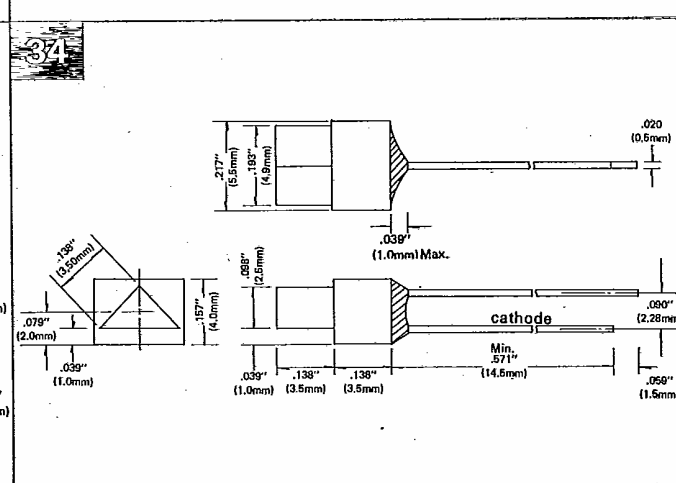
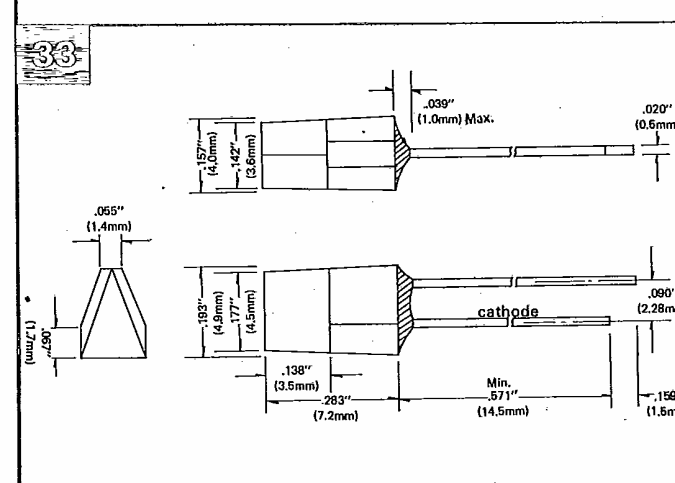
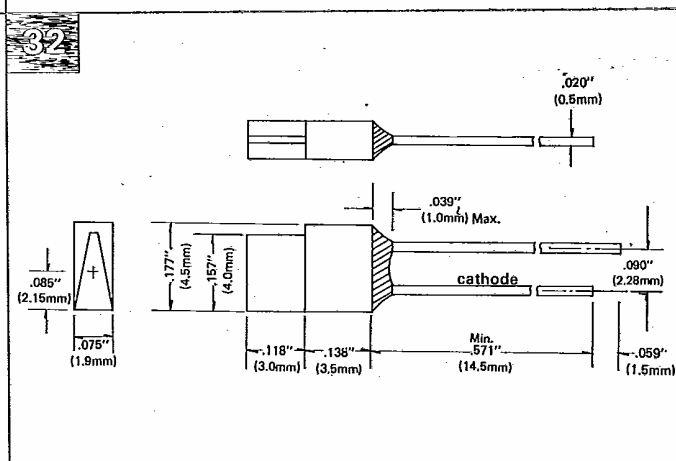
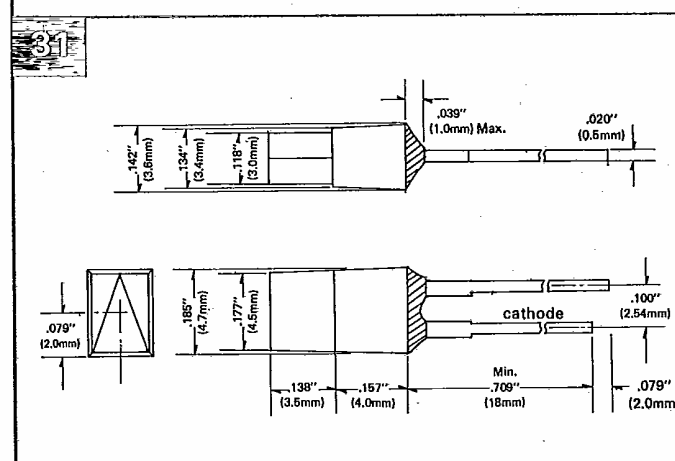
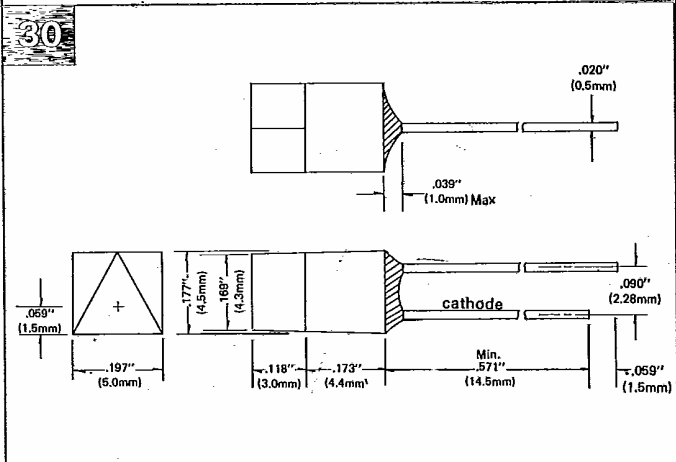
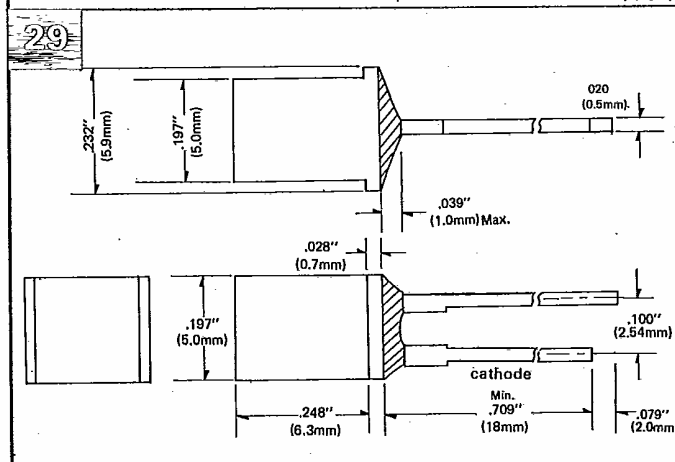
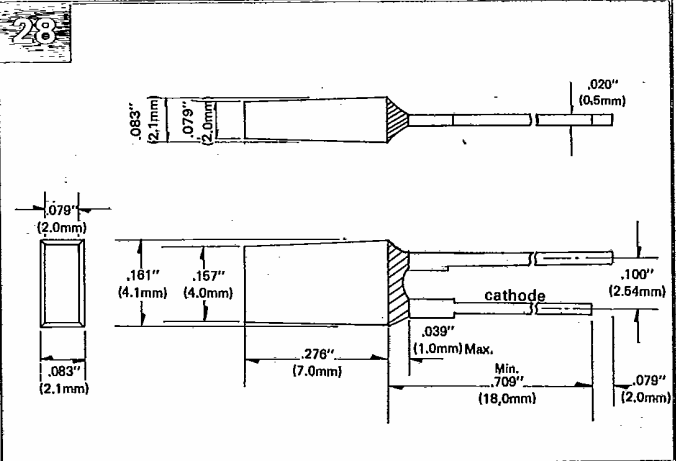
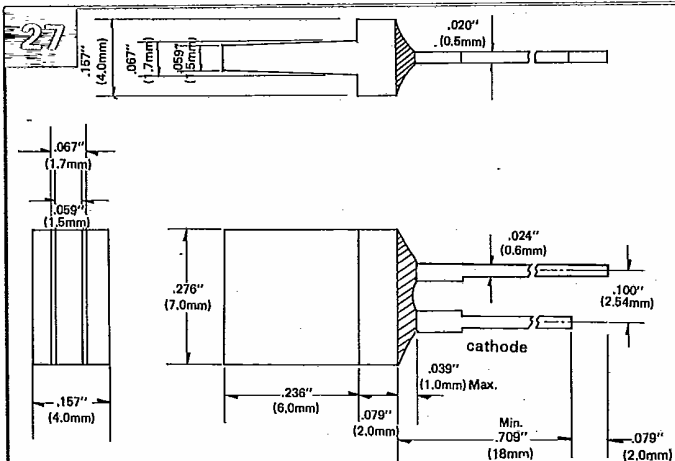
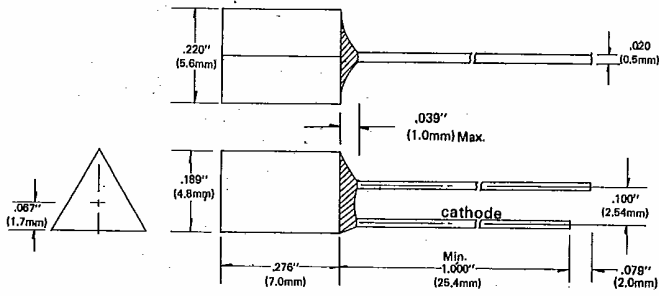


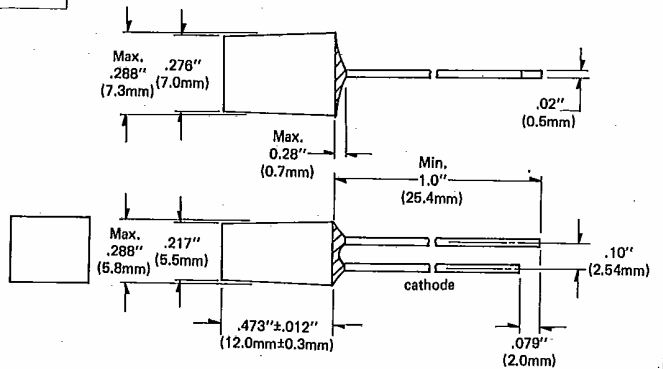
Package Size	Device No.	Chip's Color	Lens Color	Electrical and Optical Characteristic (Ta = 25°C)					Package
				Peak Emission Wavelength (nm) If = 20mA	Vf (V) If = 10mA TYP.	Ir (μA) Vr = 5V MAX.	Luminous Intensity in mcd @10mA		
				MIN.	TYP.				
Triangle Type 	SE7511	Red	Red/Diffused	655	1.6	100	0.1	0.3	34
	SE7501BT	Red	Red/Diffused	695	2.0	100	0.2	0.5	
	SE7521	Green	Green/Diffused	565	2.0	100	0.5	1.6	
	SE7531	Yellow	Yellow/Diffused	585	1.9	100	0.5	1.5	
	SE7541	Orange	Orange/Diffused	635	1.9	100	0.6	1.6	
Triangle Type 	SE7611D	Red	Red/Diffused	655	1.6	100	0.1	0.3	35
	SE7601DK	Red	Red/Diffused	695	2.0	100	0.3	0.7	
	SE7621D	Green	Green/Diffused	565	2.0	100	0.8	2.0	
	SE7631D	Yellow	Yellow/Diffused	585	1.9	100	0.8	2.0	
	SE7641D	Orange	Orange/Diffused	635	1.9	100	0.8	2.0	
Rectangular Type 	SE81301D	Red	Red/Diffused	695	2.0	100	0.1	0.3	36
	SE81321D	Green	Green/Diffused	565	2.0	100	0.3	0.8	
	SE81331D	Yellow	Yellow/Diffused	585	1.9	100	0.8	2.0	
	SE81341D	Orange	Orange/Diffused	635	1.9	100	0.6	1.6	
	SE81345D	Orange	Red/Diffused	635	1.9	100	0.7	1.8	
Rectangular Type 	SE8511	Red	Red/Diffused	655	1.6	100	0.2	0.4	37
	SE8501AK	Red	Red/Diffused	695	2.0	100	0.3	0.6	
	SE8521	Green	Green/Diffused	565	2.0	100	0.5	1.6	
	SE8531	Yellow	Yellow/Diffused	585	1.9	100	0.5	1.2	
	SE8541	Orange	Orange/Diffused	635	1.9	100	0.5	1.5	
Rectangular Type 	SE8711	Red	Red/Diffused	655	1.6	100	0.1	0.3	38
	SE8701AT	Red	Red/Diffused	695	2.0	100	0.2	0.5	
	SE8721	Green	Green/Diffused	565	2.0	100	0.5	1.0	
	SE8731	Yellow	Yellow/Diffused	585	1.9	100	0.5	1.0	
	SE8745AT	Orange	Red/Diffused	635	1.9	100	0.5	1.0	
Square Type 	SE8911D	Red	Red/Diffused	655	1.6	100	0.1	0.4	39
	SE8901DS	Red	Red/Diffused	695	2.0	100	0.3	1.2	
	SE8921D	Green	Green/Diffused	565	2.0	100	0.9	2.5	
	SE8931D	Yellow	Yellow/Diffused	585	1.9	100	0.8	2.0	
	SE8941D	Orange	Orange/Diffused	635	1.9	100	0.8	2.1	
SE8945DS	Orange	Red/Diffused	635	1.9	100	0.9	2.5		
Square Type 	SE9011	Red	Red/Diffused	655	1.6	100	0.1	0.3	40
	SE9001AT	Red	Red/Diffused	695	2.0	100	0.2	0.4	
	SE9021	Green	Green/Diffused	565	2.0	100	0.5	1.5	
	SE9031	Yellow	Yellow/Diffused	585	1.9	100	0.4	1.2	
	SE9041	Orange	Orange/Diffused	635	1.9	100	0.5	1.4	
Rectangular Type 	SE9411D	Red	Red/Diffused	655	1.6	100	0.1	0.3	41
	SE9401DT	Red	Red/Diffused	695	2.0	100	0.5	1.2	
	SE9421D	Green	Green/Diffused	565	2.0	100	1.0	3.3	
	SE9431D	Yellow	Yellow/Diffused	585	1.9	100	0.9	2.8	
	SE9445DT	Orange	Red/Diffused	635	1.9	100	1.0	3.0	
T-1 1/2 Bi-Color 	SEF50G2PT	Red	White/Diffused	695	2.0	100	1.0	2.0	42
		Green		565	2.0	100	1.0	2.5	



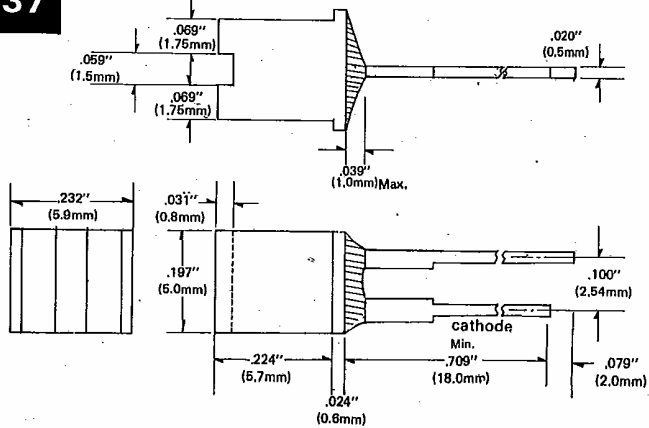
35



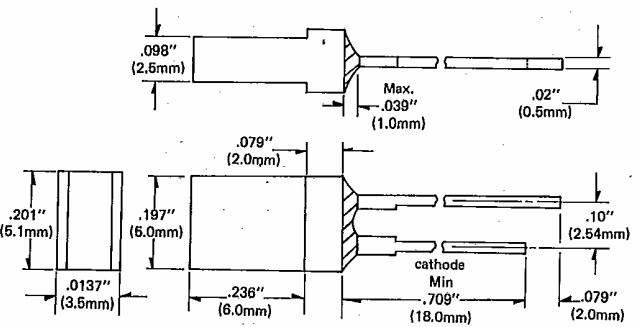
36



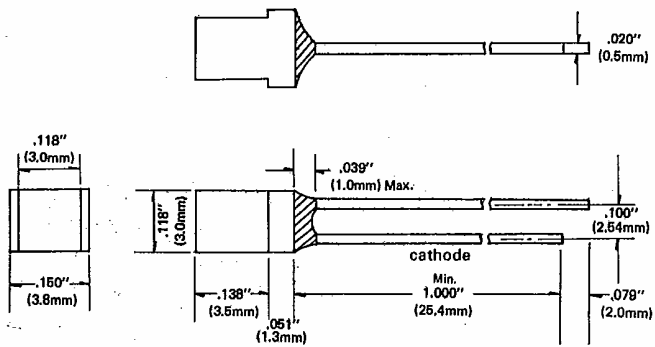
37



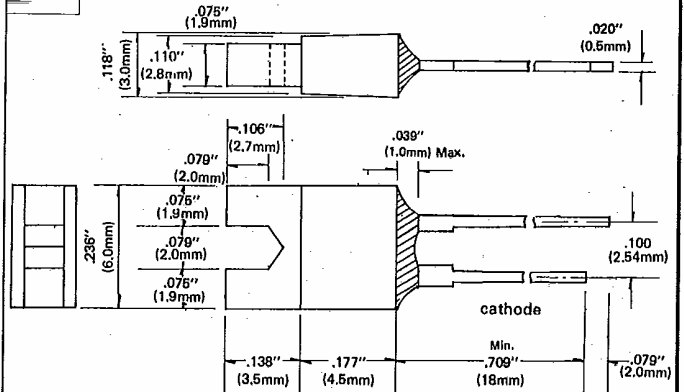
38



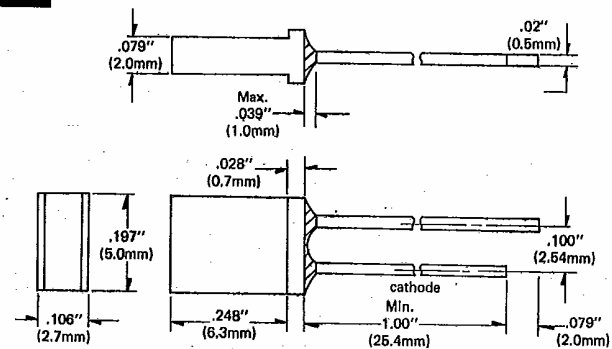
39



40



41



42

